

Description

The esave SLC-Hub103 offers operational specialists a smart, flexible and cost-effective control. From static long-term to dynamic high-performance projects, the SLC-Hub103 exceeds monitoring demands of today and tomorrow.

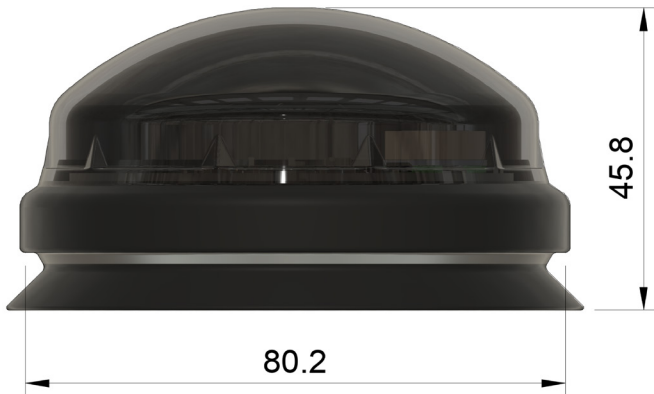
SLC-Hub103 can be operated in combination with any luminaire equipped with the Lumawise Endurance S socket from TE connectivity (Zhaga-connectivity module). An operator can easily retrofit a luminaire via Plug and Play.

The SLC-Hub103 is D4i ready / Type A device.

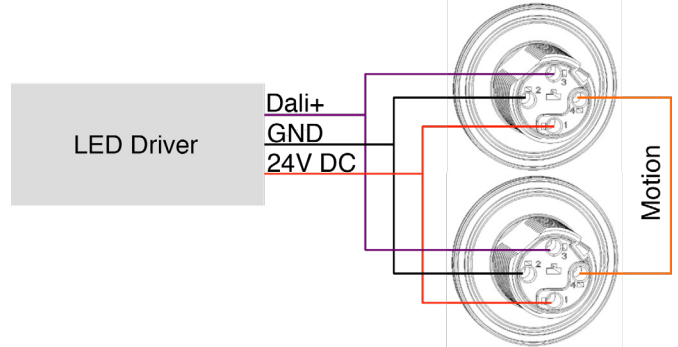
Features

- Fully configurable dim profiles by time, weekdays and/or sensor inputs
- Automatically organizing wireless mesh network
- AES encrypted wireless communication
- Wirelessly configurable and updateable
- Automatic adjustment of daylight and standard saving time
- Automatic wireless distribution of date/time
- Dimming Interface DALI and DALI-2, supports various industry standard LED drivers
- Optional support for motion sensors, D4i ready
- Integrated temperature and twilight sensor
- Energy usage determination
- Configurable distribution of twilight sensor value and motion detection values
- Low power consumption
- Configurable LED luminous flux compensation over lifetime (LFC)
- Easy to use software for on-site configuration and controlling
- Optional integration into a web based management and control application with on-site gateway devices
- Tilt sensor for detecting a position change of the node
- GPS-Option to synchronize the time and automatically determine the position

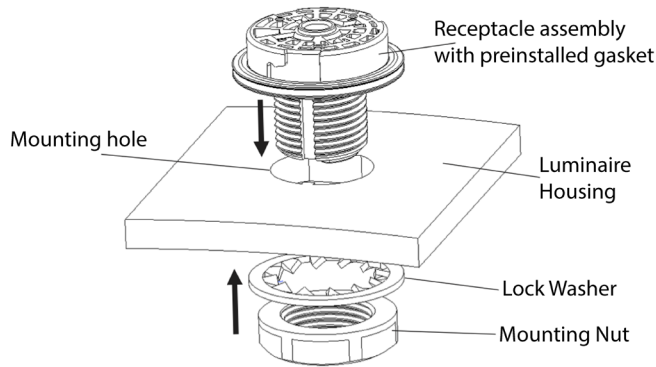
Dimension



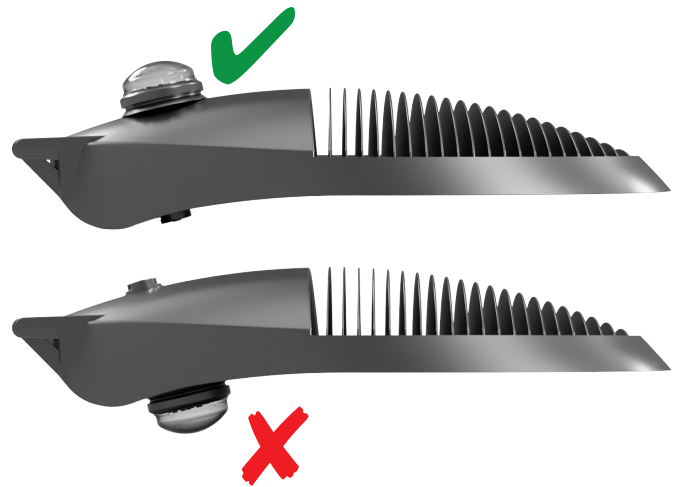
Wiring



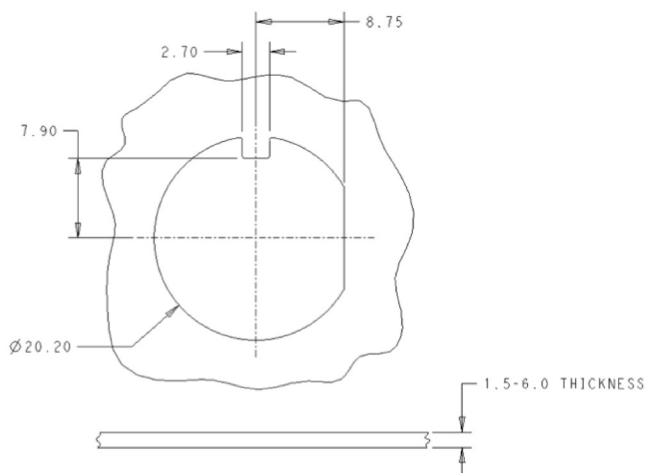
Connector assembly



Housing



Mounting hole pattern



Housing

Dome

- Outer Diameter: max. 81.5 mm
- Height: max. 32.5 mm
- Material: Polycarbonate
- Color: Transparent smoke gray

Base

- Outer Diameter: max. 75.0 mm
- Height without plug: 19.5 mm
- Material: PBT
- Color: Grey

Connector

- Outer Diameter: max. 30.0 mm
- Height: max 28.5 mm
- Thread length: max. 18.0 mm
- Thread pitch: M20x1.5
- Material: PBT
- Color: Grey
- Wire size: 20-16 AWG (0.5-1.5 mm²)
- Mounting: Torque mounting nut within the range of 1.8 to 2.4 Nm using a 27 mm hex socket

Maximum ratings

Parameter	Sym	Min	Max	Unit
Supply Voltage	V_{in}	0	34	V DC
Current input	I_{in}		50	mA
Operating temp.	T_A	-40	+85	°C
Storage temp.	T_S	-40	+90	°C
Dim interface input current	I_{inD}		250	mA

Operating characteristics

Parameter	Type	Sym	Min	Typ	Max	Unit
Supply Voltage Range		V_{in}	12	24	30	V DC
Current input at 24 V DC	SLC-Hub103	I_{in}		7	15	mA
	SLC-Hub103 GPS	I_{in}		14	30	mA
Power usage $V_{Sup} = 24$ V DC	SLC-Hub103	P		180		mW
	SLC-Hub103 GPS	P		300		mW
Motion detection signal input		$V_{MOT\ HIGH\ Pegel}$	12		V_{cc}	V
		$V_{MOT\ LOW\ Pegel}$	0.0		0.5	
Protection class		IP	66			

Wireless characteristics

Parameter	Sym	Min	Typ	Max	Unit
RF frequency range (center frequency)	f_w	2.420		2.480	GHz
RF nominal output power				14	dBm
Receiver sensitivity			-97	-92	dBm